



Tripla

Triple Action Tapware



With almost 30 years in the water filtration industry, Puretec remains a family owned, family run company with an unrivalled reputation for quality, innovation and reliability.

Perfection

We know uncompromised quality and consistency along with innovation and technology is of utmost importance with water filtration – that’s how we’ve ensured Puretec water is consistent and exact. At Puretec, perfection is only just good enough.

Commitment

Our philosophy of genuine commitment to quality, value and customer service ensures that your Puretec experience will be enjoyable and world class. Puretec manufacturers to impeccable standards and back this is up with warranties that are the benchmark in the industry.

Established

Puretec has been manufacturing and designing water filtration products since the 1980’s and every year invest in ongoing research and development. Our far reaching experience has ensured that the Puretec product range is broad and leads the market.

Customer Service

The Puretec team is passionate about perfecting water. Call us with questions, as we are here to help. Solutions are never far away.

We trust you find your Puretec experience, enjoyable and satisfying.

Puretec Tripla Tapware

Innovative 3 in 1 Mixer Taps

TAPWARE		
Tripla-BL1	3-in-1 Black Mixer Tap	8
Z1-BL1	Quick-Twist Filter System with BL1 Mixer Tap	9
Tripla-BL2	3-in-1 Black Mixer Tap	10
Z1-BL2	Quick-Twist Filter System with BL2 Mixer Tap	11
Tripla-BL3	3-in-1 Black Mixer Tap	12
Z1-BL3	Quick-Twist Filter System with BL3 Mixer Tap	13
Tripla-T6	3-in-1 LED Mixer Tap	14
Z12-T6	Quick-Twist Filter System with T6 LED Mixer Tap	15
ERS2-T6	Ultraviolet Filter System with T6 LED Mixer Tap	15
Tripla-T5	3-in-1 LED Mixer Tap	16
Z1-T5	Quick-Twist Filter System with T5 LED Mixer Tap	17
ERS2-T5	Ultraviolet Filter System with T5 LED Mixer Tap	17
Tripla-T4	3-in-1 LED Mixer Tap	18
Z1-T4	Quick-Twist Filter System with T4 LED Mixer Tap	19
ERS2-T4	Ultraviolet Filter System with T4 LED Mixer Tap	19
Tripla-T3	3-in-1 LED Mixer Tap	20
Z1-T3	Quick-Twist Filter System with T3 LED Mixer Tap	21
ERS2-T3	Ultraviolet Filter System with T3 LED Mixer Tap	21
Tripla-T2	3-in-1 LED Mixer Tap	22
Z1-T2	Quick-Twist Filter System with T2 LED Mixer Tap	23
ERS2-T2	Ultraviolet Filter System with T2 LED Mixer Tap	23
Tripla-T1	3-in-1 LED Mixer Tap	24
Z1-T1	Quick-Twist Filter System with T1 LED Mixer Tap	25
ERS2-T1	Ultraviolet Filter System with T1 LED Mixer Tap	25
Z1 Series	Quick-Twist Undersink Water Filter System with LED Faucet	26-27



“Contemporary art for your kitchen. Turns a beautiful kitchen into a distinctive one.”

Innovative triple action.
No need for a second tap.



A. Filtered Water Outlet

Completely separate outlet filtered water so there is no mixing of filtered and unfiltered water.

B. Hot and Cold Lever

The hot and cold lever is operated just the same as a conventional mixer tap.

C. Filtered Water Lever

Turn the filtered water lever to dispense pure water for drinking and cooking from the separate outlet.

D. Water Inlet Connection

The hot, cold and filtered water each enter the tap through one of three dedicated connection points.

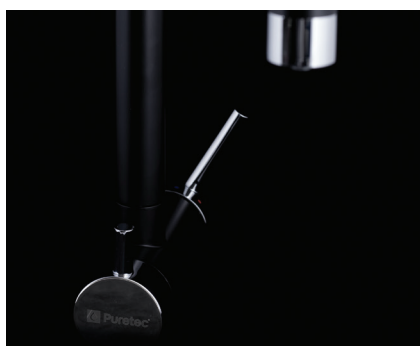
E. Mains Water Filter System

The Tripla taps can all be ordered with a filter system that will then turn your town water supply into 'spring-like' water on tap.

F. Rainwater Filter System

Selected models from Tripla range come with a filter system designed for rainwater. These systems ensure you have safe, bacteria-free water for drinking.

The heart of your home deserves Puretec Tripla



Timeless Styling

It's surprising how much difference the right tapware makes. It's not just a complementary addition, it's a genuine finishing touch. A subtle, yet unmistakable enhancement that draws together all the elements in your kitchen and entertaining areas, to create a graceful and cohesive living space.



Innovative Engineering

We've been designing and manufacturing tapware since 1989 – for both domestic and commercial applications. And every year, we invest in ongoing research and development. So our technologies are constantly advancing, which means our products are constantly improving. The Tripla's intuitive single-mixer delivery of hot, cold and filtered water is a perfect example.



Impeccable Quality

Our impeccable manufacturing standards are derived from our commercial operations. Where there's no margin for error. As a result, the entire Tripla range is WaterMark approved and WELS rated, and every Tripla product comes with a 6-year warranty^.



Hot, Cold & Filtered Water

Sleek, contemporary lines, effortless function, guaranteed durability... Tripla tapware makes a difference. It's an understated presence that turns a beautiful kitchen into distinctive one, and gives you hot, cold and filtered water, all from a single mixer.



Easy Installation

Puretec Tripla tapware is designed to be quickly and easily installed. Whether you are changing over an existing mixer or fitting it in a new kitchen, installation is completed in a matter of minutes.



Purified Water on Tap 24/7

The Tripla taps combined with a filtration system ensure that you have pure, refreshing drinking water or tap 24/7. No more lugging of bottled water.



Tripla BL1 Series

With its matt black finish and chrome highlights, the Tripla-BL1 is everything modern tapware should be: clean and classy. But its appeal is more than cosmetic. There's a lot of practicality working alongside those striking looks: plenty of clearance and height for filling bottles and jugs, and for washing up. Plus, a chrome lever on one side will give you filtered water, while the lever on the other side will dispense hot and cold tap water. The BL1, like all Puretec Tripla taps, does not mix filtered and unfiltered water.

Tripla BL1 Series

Puretec Tripla BL1 with Undersink Filter Systems

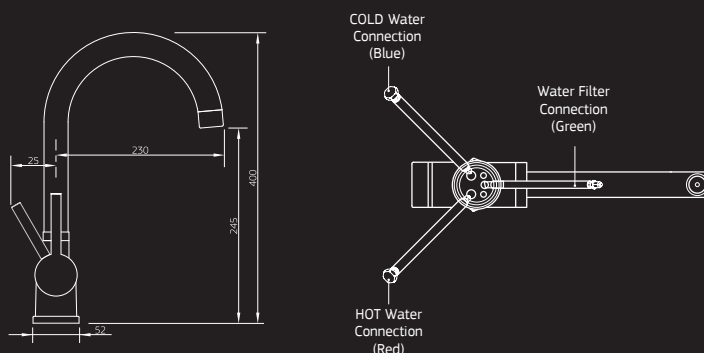


Mixer Tap and Filter System for Mains Water (Model: Z1-BL1)

The Puretec Quick-Twist filter is easy to install, either in a horizontal or vertical position. The system comes with all the required plumbing connections, and is specifically designed to work with Tripla tapware. This combination includes the Z1 series filter and the TRIPLA-BL1 mixer.

Note:

To order the tap without a filter, the code is **TRIPLA-BL1**



SPECIFICATIONS

Hose connection included:	½" and ¼" braided
Required hole for the tap:	33 mm diameter
WELS 3 Star Rated:	8 litres/minute
WaterMark Certified	License No. WM 74726
Warranty:	6 years [^]



Tripla BL2 Series

All black tapware with all round appeal – the Tripla-BL2 is right at home in city apartments, country mansions, and every type of property in between. That’s the beauty of contemporary matt black tapware – it’s a perfect fit with just about every colour scheme and every surface. With separate levers either side for filtered water and hot and cold tap water, the BL2 is versatile in function as well as setting. The BL2, like all Puretec Tripla taps, does not mix filtered and unfiltered water.

Tripla BL2 Series

Puretec Tripla BL2 with Undersink Filter Systems

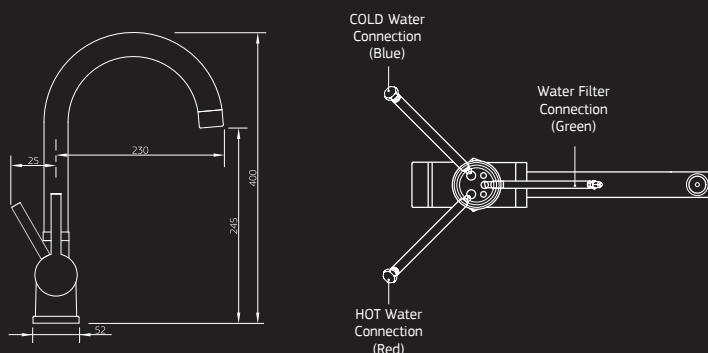


Mixer Tap and Filter System for Mains Water (Model: Z1-BL2)

Installation of The Puretec Quick-Twist filter is quick and easy, and it can fit into place horizontally or vertically. All plumbing connections are included with the system, which has been designed to work with Tripla tapware. This combination includes the Z1 series filter and the TRIPLA-BL2 mixer.

Note:

To order the tap without a filter, the code is **TRIPLA-BL2**



SPECIFICATIONS

Hose connection included:	½" and ¼" braided
Required hole for the tap:	33 mm diameter
WELS 3 Star Rated:	8 litres/minute
WaterMark Certified	License No. WM 74726
Warranty:	6 years [^]



Tripla BL3 Series

A modern classic. It's easy to imagine the Tripla-BL3 in a country kitchen with its blend of traditional aesthetics and contemporary functionality. Matt black, heritage handles and striking lines give this tapware its vintage appeal, while its ability to dispense filtered water, as well as hot and cold tap water, meets today's demands for pure drinking water. The BL3, like all Puretec Tripla taps, does not mix filtered and unfiltered water.

Tripla BL3 Heritage Series

Puretec Tripla BL3 with Undersink Filter Systems

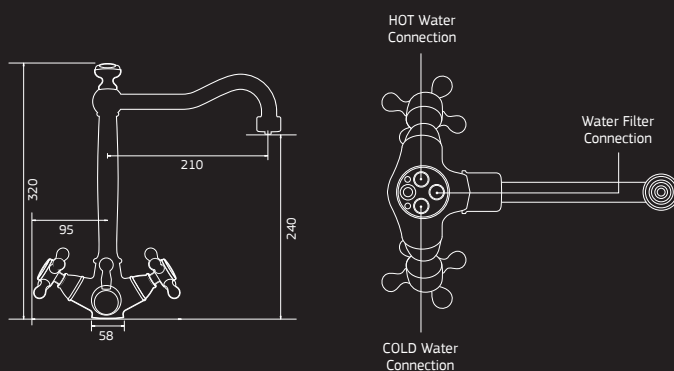


Mixer Tap and Filter System for Mains Water (Model: Z1-BL3)

The Puretec Quick-Twist filter is easy to install, and will work in either a vertical or horizontal position. The system includes all necessary plumbing connections, and is specially designed to operate with Tripla tapware. This combination includes the Z1 series filter and the TRIPLA-BL3 mixer.

Note:

To order the tap without a filter, the code is **TRIPLA-BL3**



SPECIFICATIONS

Hose connection included:	½" and ¼" braided
Required hole for the tap:	33 mm diameter
WELS 3 Star Rated:	8 litres/minute
WaterMark Certified	License No. WM 74726
Warranty:	6 years [^]



Tripla T6 Series

The clean sleek lines of the Tripla T6 have created a minimalistic tap that whilst providing the practicality of lots of clearance for jugs and washing up, it still complements any modern kitchen décor. The handle with the neatly integrated LED light can be easily turned to operate the filtered water and when the filter is due to be replaced the light turns from blue to red. As with all Puretec Tripla taps there is no mixing of filtered and unfiltered water.

Tripla T6 Series

Puretec Tripla T6 with Undersink Filter Systems



Mixer Tap and Filter System for Mains Water (Model: Z12-T6)

The Puretec Quick-Twist filter installs easily, either in a horizontal or vertical position. It comes with all the plumbing connections you need, and is specifically designed to work with Tripla tapware. This combination includes the Z1 series filter and the T6 mixer.

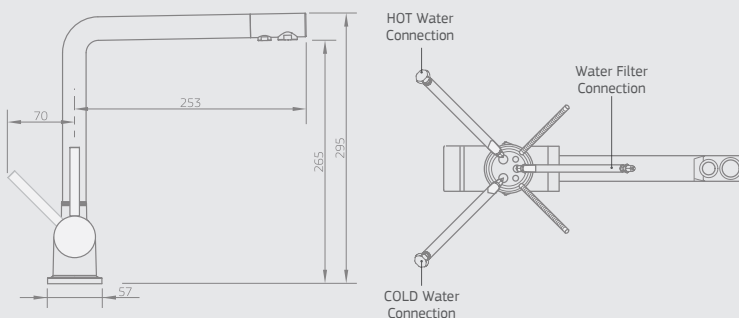


Mixer Tap and Filter System for Rainwater (Model: ESR2-T6)

The ESR2-T6 System includes the T6 mixer tap and an under sink ultraviolet system designed to kill bacteria. This ensures that your rainwater is safe and healthy to drink. All fittings for installation are included.

Note:

To order the tap without a filter, the code is **TRIPLA-T6**



SPECIFICATIONS

Hose connection included:	½" and ¼" braided
Required hole for the tap:	33 mm diameter
WELS 5 Star Rated:	5 litres/minute
WaterMark Certified No.	23033
Warranty:	6 years [^]



Tripla T5 Series

The Tripla-T5 is as individual as you are. The unique design is futuristic whilst still adding a stylish contemporary dimension to your kitchen. The handle with the neatly integrated LED light can be easily turned to operate the filtered water and when the filter is due to be replaced the light turns from blue to red. As with all Puretec Tripla taps there is no mixing of filtered and unfiltered water.

Tripla T5 Series

Puretec Tripla T5 with Undersink Filter Systems



Mixer Tap and Filter System for Mains Water (Model: Z12-T5)

The Puretec Quick-Twist filter installs easily, either in a horizontal or vertical position. It comes with all the plumbing connections you need, and is specifically designed to work with Tripla tapware. This combination includes the Z1 series filter and the T5 mixer.

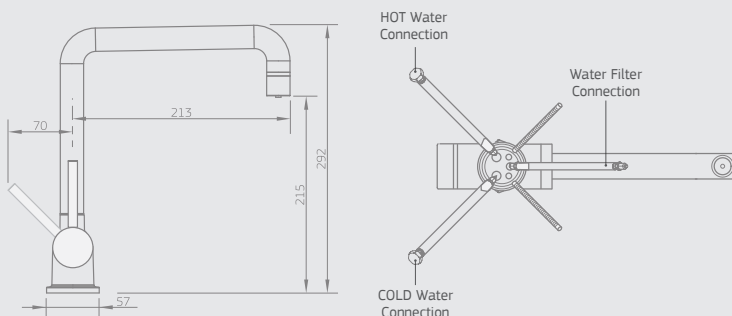


Mixer Tap and Filter System for Rainwater (Model: ESR2-T5)

The ESR2-T5 System includes the T5 mixer tap and an under sink ultraviolet system designed to kill bacteria. This ensures that your rainwater is safe and healthy to drink. All fittings for installation are included.

Note:

To order the tap without a filter, the code is **TRIPLA-T5**



SPECIFICATIONS

Hose connection included:	½" and ¼" braided
Required hole for the tap:	33 mm diameter
WELS 5 Star Rated:	5 litres/minute
WaterMark Certified No.	23033
Warranty:	6 years [^]



Tripla T4 Series

With a striking yet timeless styling, the Tripla T4 has been expertly crafted, providing a sleek modern tap that will make a statement in your kitchen. The handle with the neatly integrated LED light can be easily turned to operate the filtered water and when the filter is due to be replaced the light turns from blue to red. As with all Puretec Tripla taps there is no mixing of filtered and unfiltered water.

Tripla T4 Series

Puretec Tripla T4 with Undersink Filter Systems



Mixer Tap and Filter System for Mains Water (Model: Z1-T4)

The Puretec Quick-Twist filter installs easily, either in a horizontal or vertical position. It comes with all the plumbing connections you need, and is specifically designed to work with Tripla tapware. This combination includes the Z1 series filter and the T4 mixer.

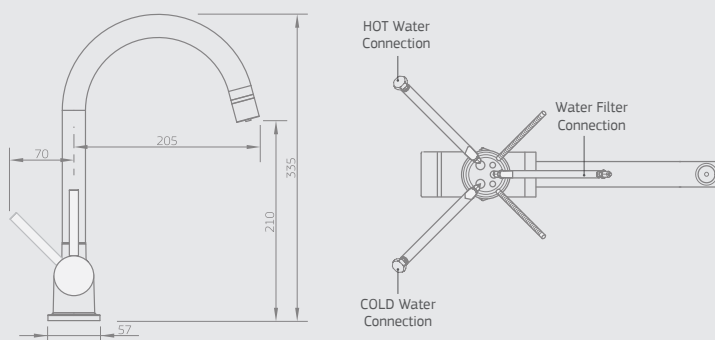


Mixer Tap and Filter System for Rainwater (Model: ESR2-T4)

The ESR2-T4 System includes the T4 mixer tap and an under sink ultraviolet system designed to kill bacteria. This ensures that your rainwater is safe and healthy to drink. All fittings for installation are included.

Note:

To order the tap without a filter, the code is **TRIPLA-T4**



SPECIFICATIONS

Hose connection included:	½" and ¼" braided
Required hole for the tap:	33 mm diameter
WELS 5 Star Rated:	5 litres/minute
WaterMark Certified No.	23033
Warranty:	6 years [^]



Tripla T3 Series

An elegant, dual handle mixer, the T3 serves you hot and cold mains water from the big handle, and filtered tank/mains water from the small. There are two outlets, one for mains and one for filtered and separate tubes inside the unit too. So there's absolutely no mixing of sources.

Tripla T3 Series

Puretec Tripla T3 with Undersink Filter Systems



Mixer Tap and Filter System for Mains Water (Model: Z1-T3)

Install our Quick-Twist filter with ease. Either vertically or horizontally. All the plumbing connections you need are included in the pack, including the T3 mixer tap.

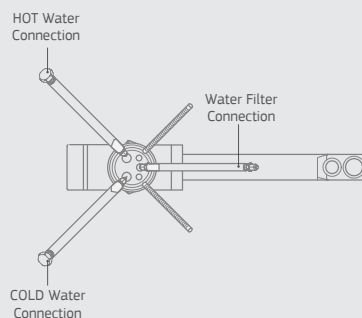
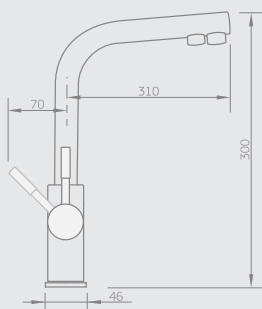


Mixer Tap and Filter System for Rainwater (Model: ESR2-T3)

The ESR2-T3 System includes the T3 mixer tap and an under sink ultraviolet system designed to kill bacteria. This ensures that your rainwater is safe and healthy to drink. All fittings for installation are included.

Note:

To order the tap without a filter, the code is **TRIPLA-T3**



SPECIFICATIONS

Hose connection included:	½" and ¼" braided
Required hole for the tap:	33 mm diameter
WELS 4 Star Rated:	7.5 litres/minute
WaterMark Certified No.	23033
Warranty:	6 years [^]



Tripla T2 Series

A traditional compact design, the Tripla T2 gives you hot, cold, filtered/or rainwater water, all from just one mixer. The main handle controls hot and cold mains water, and the lever under the spout controls filtered mains/tank water. Just turn it clockwise and your filtered water is delivered via a separate tube and outlet, inside the mixer itself. There's absolutely no mixing of filtered and unfiltered water.

Tripla T2 Series

Puretec Tripla T2 with Undersink Filter Systems



Mixer Tap and Filter System for Mains Water (Model: Z1-T2)

The Puretec Quick-Twist filter installs easily, either in a horizontal or vertical position. It comes with all the plumbing connections you need, and is specifically designed to work with Tripla tapware. This combination includes the filter and the T2 mixer.

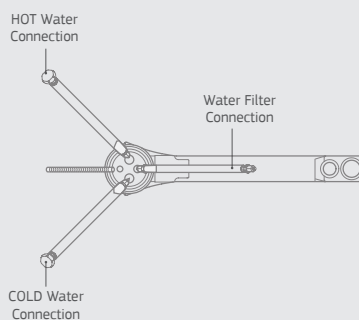
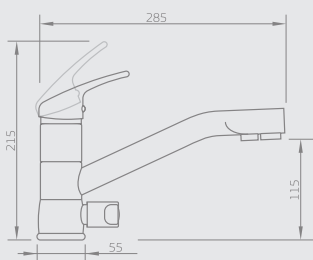


Mixer Tap and Filter System for Rainwater (Model: ERS2-T2)

The ESR2-T2 System includes the T2 mixer tap and an under sink ultraviolet system designed to kill bacteria. This ensures that your rainwater is safe and healthy to drink. All fittings for installation are included.

Note:

To order the tap without a filter, the code is **TRIPLA-T2**



SPECIFICATIONS

Hose connection included:	½" and ¼" braided
Required hole for the tap:	33 mm diameter
WELS 4 Star Rated:	7.5 litres/minute
WaterMark Certified No.	23033
Warranty:	6 years [^]



Tripla T1 Series

Hot, cold, filtered and/or rainwater, but just one distinguished mixer. Use the main handle to control your hot and cold mains water, or turn the lower handle clockwise for filtered tank/mains. Mains and filtered have separate outlets, with independent tubes inside the tap, so there's no mixing of filtered and unfiltered water.

Tripla T1 Series

Puretec Tripla T1 with Undersink Filter Systems



Mixer Tap and Filter System for Mains Water (Model: Z1-T1)

The T1 'tap & filter' package, containing the Tripla T1 mixer and the Quick-Twist filter system. This innovative Puretec Quick-Twist filter is easy to install, mounts horizontally or vertically, and comes with all the plumbing fittings you'll need for installation.

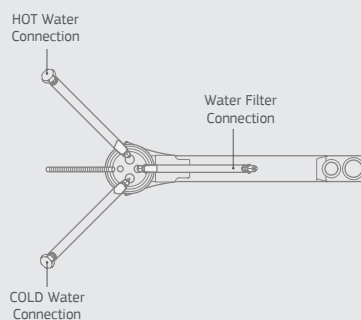
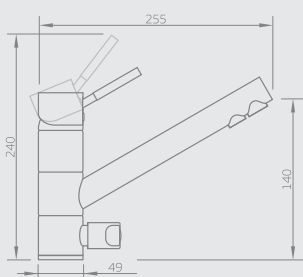


Mixer Tap and Filter System for Rainwater (Model: ESR2-T1)

The ESR2-T1 System includes the T1 mixer tap and an under sink ultraviolet system designed to kill bacteria. This ensures that your rainwater is safe and healthy to drink. All fittings for installation are included.

Note:

To order the tap without a filter, the code is **TRIPLA-T1**



SPECIFICATIONS

Hose connection included:	½" and ¼" braided
Required hole for the tap:	33 mm diameter
WELS 4 Star Rated:	7.5 litres/minute
WaterMark Certified No.	23033
Warranty:	6 years [^]



Z1 Series

Compact, quick-change water filter with LED faucet. Designed to reduce harmful Cryptosporidium & Giardia cysts, rust, dirt, sediment, chlorine, algae and chemicals leaving beautiful fresh drinking water.

The Z1 Series system uses premium grade carbon filtration. Enjoy water the way it should be, abundant, clear and beautiful tasting from your own water supply, any time of the day. The Z1 Series is ideal for ice machines, water coolers, refrigerators with ice makers, inline drinking water kits, coffee/vending machines etc.

Z1 Series

Quick-Twist Undersink Water Filter System with LED Faucet

Easy Home Installation

This premium filter system easily fits under your existing kitchen bench. All plumbing fittings are included for easy installation. It comes with a designer faucet with LED that turns from blue to red when the filter needs replacing.

Quick-Twist Water Filter System

Valve-in-head means no mess, the Z1 Series quick-twist cartridge can be easily replaced - just like changing a light globe. Enjoy water the way it should be, abundant, clear and beautiful tasting from your own water supply, any time of the day.

Longer Filter Life

Using the latest carbon briquette technology that gives up to 12 months filter life. It incorporates Puretec's long life filter technology, so you can go longer between filter replacements, and comes with our **10 Year Platinum Protection Warranty**[^].



FEATURES AND BENEFITS

- ✓ Reduces chlorine, pesticides, bad taste, odours, organic chemicals, dirt, rust and 99.9% Giardia & Cryptosporidium cysts
- ✓ Mounts horizontally or vertically - no shelf cutouts required
- ✓ Latest technology carbon briquette gives up to 12 months filter life
- ✓ All plumbing installation fittings included - no extras needed
- ✓ Multifunction control valve included for pressure reduction, anti-water hammer and dual check manufactured from chrome plated brass for reliability



Stage 1

- Removes particles.
- Clarifies the water.
- Removes sediment, rust, sand, silt & algae.

Stage 2

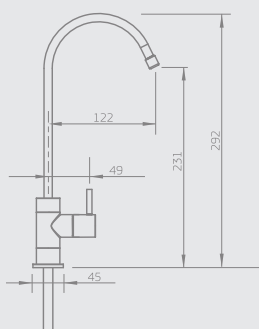
- Chlorine and chloramine reduction.
- Eliminates bad taste and odours.
- Chemical pesticides & sulphur reduction.

Stage 3

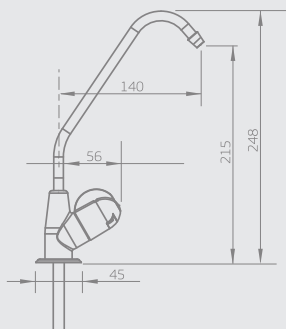
- Ultra Z Filtration membrane finely filters to 0.1 micron*.
- Provides protection against cysts and bacteria, such as E. coli.
- Removes the finest particles.

[^]Tripla Tapware warranty is 6 years replacement parts, 1 year parts and labour. Puretec Filter Systems warranty is 10 years parts 1 year parts and labour.

Z18



Z12



SPECIFICATIONS

Replacement Cartridge:	Z1-R
Max Flow:	5 Litres/minute
Micron Rating:	1 Micron
Connection:	½" BSP [15mm]
WaterMark Certified	License No. WM 74617
Warranty:	10 years*



Puretec[®]
PERFECTING WATER

AUSTRALIA

Customer Service: **1300 140 140**

Email: sales@puretec.com.au

Web: www.puretec.com.au

NEW ZEALAND

Customer Service: **0800 130 140**

Email: sales@puretec.co.nz

Web: www.puretec.co.nz

